

# PERMALOCK

The PermaLock enables you to create a sturdy connection for everything you would want to attach to the Permavoid 85S unit. The PermaLock is inserted into the unit at any of the openings and secured with

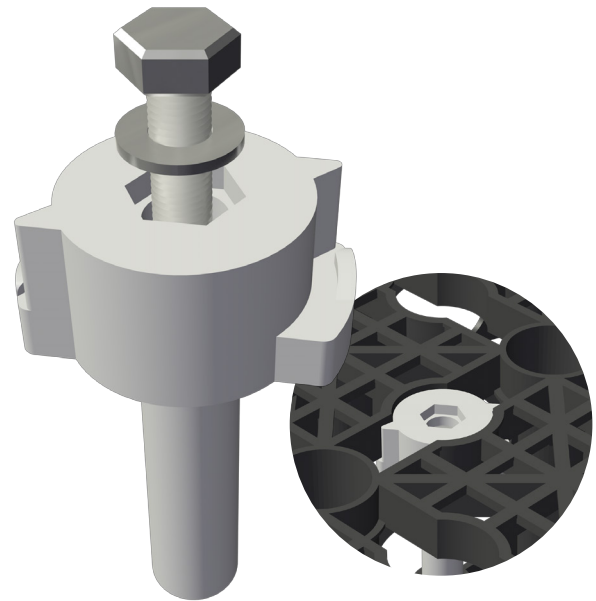
a bayonet lock. The PermaLock houses a standard 8 mm (5/16") steel thread, in which bolts can be screwed to attach for example fencing, solar panel systems or wooden decks to the Permavoid subbase.

## Applications

Connecting element / "plug-in" for the Permavoid 85S unit.

### GENERAL

<b>Brand</b>	Permavoid
<b>Product name</b>	PermaLock
<b>Item nr.</b>	3510005
<b>Color</b>	White
<b>Material</b>	Glass fibre reinforced Polypropene
<b>Material description</b>	Frost resistant, hydrofoob, inert, acid and hydrocarbon resistant, impervious to bacterial and fungal growth
<b>Recycled/Virgin</b>	Virgin
<b>Lifespan</b>	> 50 years



\* Bolts not included.

# PERMALOCK

## SIZE

<b>Size</b>	35 x 47 x 79 mm (L x w x h, approx.)
<b>Weight</b>	approx. 30 g
<b>Color</b>	White
<b>Coefficient of Linear Thermal Expansion</b>	0,00003 m/m K

## PACKAGING

<b>Packaging</b>	Box, 500 pieces 390 x 290 x 250 mm (L x w x h)
<b>Pallet size</b>	1.200 x 800 x 1.700 mm (L x w x h)
<b>Pallet capacity</b>	24 boxes, 12.000 pieces
<b>Pallet total weight</b>	300 kg
<b>Storage instruction</b>	None
<b>HS Code</b>	39269097

### Notes

Permavoid Ltd. will not be held liable if our products are used in a manner inconsistent with our requirements, standards or the purposes indicated in the standards. Standards can be obtained at [www.permavoid.com](http://www.permavoid.com). This document is not contractual. With our constant concern for improvements, the information this document contains and the products presented may be modified without notice. The latest version of this document can be obtained at [www.permavoid.com](http://www.permavoid.com). Please get in touch with us if you require any further documentation or information.

Data Sheet: PDS-7  
Last revised: January 2021

### Permavoid Head Office

Kattenburgerstraat 5  
1018 JA | Amsterdam | The Netherlands  
[www.permavoid.com](http://www.permavoid.com) | [info@permavoid.co.uk](mailto:info@permavoid.co.uk)

Permavoid Ltd. is part of the Polypipe Group.